



BILION TRADE
Move the World with us!



LIFTING EQUIPMENT AND RIGGING



ISO 9001:2008

The high-quality products, marked with the BULL-LIFTING logo, guarantee safety and reliability in all load carrying operations.

All products of the BULL-LIFTING brand are distinguished by the following:

1. Quality that is more than reliable and fully corresponds to the high requirements of the European and the International market.
2. TÜV certificate for correspondence with the European standards – all BULL-LIFTING products are carefully tested and strictly certified by the TÜV Rheinland group; the performed tests are both for the input materials and for the technical and quality parameters. Each BULL-LIFTING product comes with a relevant TÜV certificate, with recognizable CE marking and

corresponds to all European requirements.

3. Additional guarantee and high assurance for the client – thanks to the special “Product liability” insurance concluded with a leading International insurance company for all BULL-LIFTING products, all our clients receive even more reliability.
4. Patented and officially registered trademark.
5. Our own unique design.
6. Reliable after-sale service and available spare parts – all BULL-LIFTING products are secured with spare parts which can be delivered to the client; if necessary, the products can also be repaired in the specialized company service.
7. Environmental care – all BULL-LIFTING products are environmental friendly and all the packings can be recycled.

CERTIFICATES



REGISTERED TRADE MARK

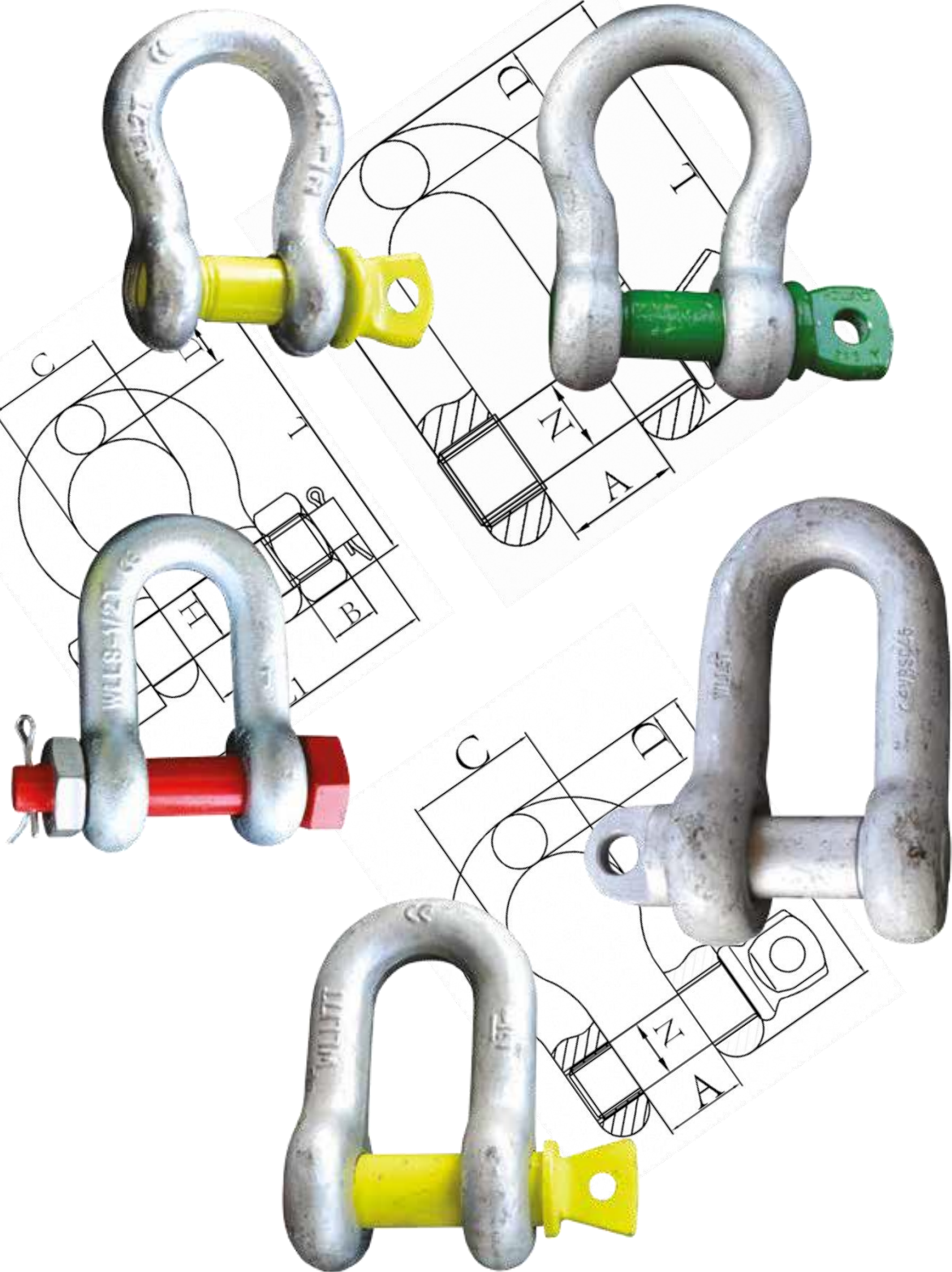


1. High-strength load chains and chain slings, grade 8 and 10;
2. Webbing and round slings;
3. Wire rope slings;
4. All kind of riggings – master links, hooks, shackles, connecting links, etc;
5. Vertical and horizontal lifting clamps;

6. Lever and chain hoists;
7. Ratchet load binders;
8. Lifting magnets;
9. Clamps for special purpose – drum clamps, concrete pipe clamps, steel pipe clamps with protection, beam clamps etc

CERTIFICATES TÜV

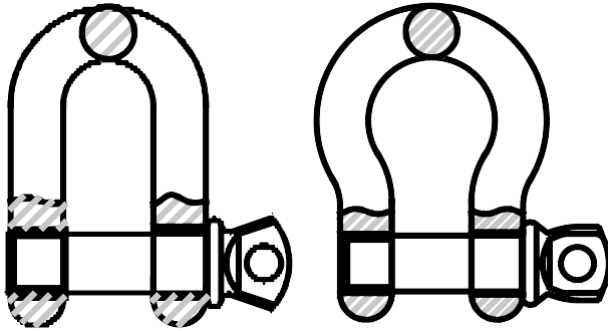




Shackles

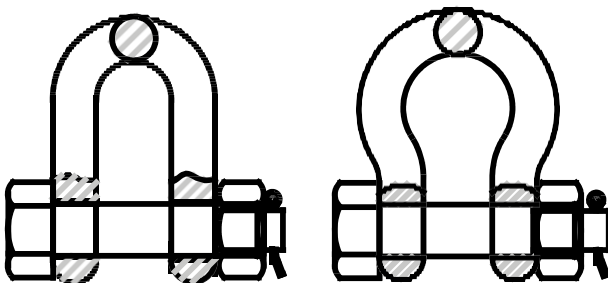
SCREW TYPE SHACKLES, TYPE BULL 365 AND BULL 364

- Suitable mainly for single load and unload operations.
- By side loading, the WLL decreases!
- Before every lifting operation, the bolt must be tightened!



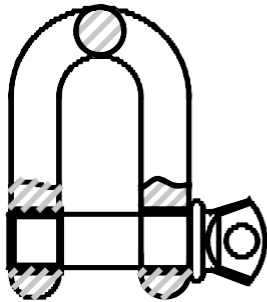
BOLT TYPE SHACKLES, TYPE BULL 363 AND BULL 362

- Suitable for permanent and long-termed rigging, also for long load and unload operations.
- By side loading, the WLL decreases!
- The nut always has to be tightened and the safety pin – on its place!

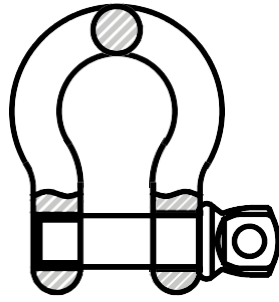


Caution! Never exceed the shown WLL!

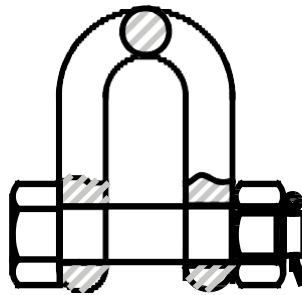
SAFE WORK WITH SHACKLES



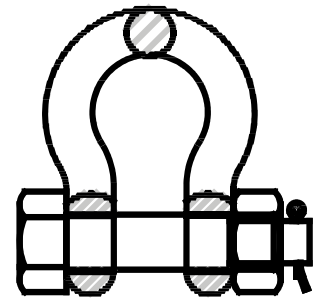
BULL 363



BULL 362

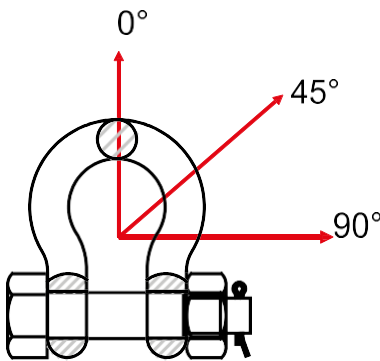


BULL 365



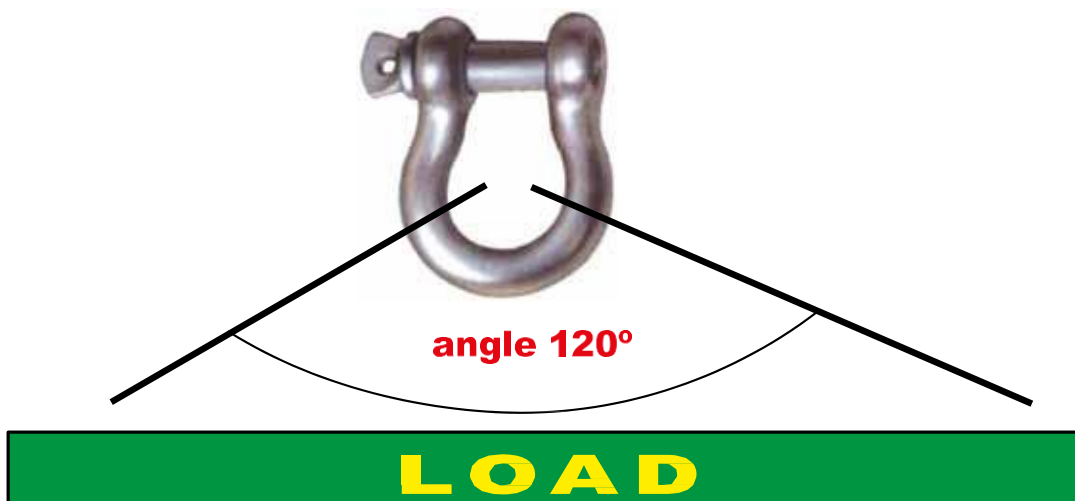
BULL 364

BY SIDE LOADING, THE WLL DECREASES!



SHACKLES BULL 362, BULL 363, BULL 364, BULL 365	
Working angle	WLL
0°	100%
0° – 45°	70%
45° – 90°	50%

WHEN USING SHACKLES TYPE BULL 364 AND BULL 362 AS A MASTER LINK, THE MAXIMUM WORKING ANGLE IS 120°. NEVER EXCEED THIS WORKING ANGLE!



Caution! Never exceed the shown WLL!

HIGH-TENSILE D TYPE SCREW SHACKLES TYPE BULL 365

- These shackles are forged, with a heat-treatment and hardened
- The body of the shackle is made by carbon steel with galvanized surface
- The loading pin is made by alloy steel, painted
- Application: for single lifting operations

Safety capacity 6:1. The marking is mandatory.

Description	Mark
Size	3/8
WLL	1 T
Manufacturer	Bull
CE marking	CE
Batch Ne	14/1

Marking	Weight (kg)	WLL (T)	Breaking load (T)	A±1	D±0.5	L±2	N±0.2
Bull-365-1/4	0.05	0.5	3	12	6.35	40.4	7.5
Bull-365-5/16	0.08	0.75	4.5	13.5	8	48.5	9.5
Bull-365-3/8	0.13	1	6	16.8	9.7	58.5	11.5
Bull-365-7/16	0.19	1.5	9	19	11.2	67.6	13.4
Bull-365-1/2	0.27	2	12	20.6	12.7	77	15.5
Bull-365-5/8	0.57	3.25	19.5	27	15.5	95.5	19.5
Bull-365-3/4	1.19	4.75	28.5	32	20.6	116.6	21.5
Bull-365-7/8	1.43	6.5	39	36.6	24.6	135.5	24
Bull-365-1	2.15	8.5	51	43	25.4	151	29.2
Bull-365-1-1/8	3.06	9.5	57	46	31.75	172.2	29.5
Bull-365-1-1/4	4.10	12	72	51.6	35	190.5	35.7
Bull-365-1-3/8	5.28	13.5	81	57.2	38.1	210.3	39
Bull-365-1-1/2	7.22	17	102	60.5	41.1	230.1	39
Bull-365-1-3/4	12.13	25	150	73.2	53.8	278.6	48
Bull-365-2	19.19	35	210	82.6	50.8	321	56
Bull-365-2-1/2	32.55	55	330	105	66.5	377	67.5

The shown WLL is for vertical loading only

HIGH-TENSILE D TYPE BOLT SHACKLES, WITH NUT AND SAFETY PIN, TYPE BULL 363

- These shackles are forged, with a heat-treatment and hardened
- The body of the shackle is made by carbon steel with galvanized surface
- The loading pin is made by alloy steel, painted
- The nut is galvanized
- Application: for permanent or long term rigging operations

Safety capacity 6:1. The marking is mandatory.

Description	Mark
Size	3/8
WLL	1 T
Manufacturer	Bull
CE marking	CE
Batch Ne	14/1

Marking	Weight (kg)	WLL (T)	Breaking load (T)	A±1.2	D±0.5	N±0.2	L±2	L1±0.5	B
Bull-363-3/16	0.01	0.33	1.98	9.7	4.8	7	34.15	32	3.2
Bull-363-1/4	0.05	0.5	3	11.9	6.4	8	40.4	40	4
Bull-363-5/16	0.10	0.75	4.5	13.5	8	9.7	48.5	48.4	5
Bull-363-3/8	0.15	1	6	16.8	9.7	11.2	58.7	57.8	6
Bull-363-7/16	0.22	1.5	9	19	11.2	12.7	67.8	65.9	7
Bull-363-1/2	0.34	2	12	20.6	12.7	16.3	77	73.7	8
Bull-363-5/8	0.67	3.25	19.5	27	16	20	95.5	94	10
Bull-363-3/4	1.14	4.75	28.5	32	20.6	22.6	115	108.7	10
Bull-363-7/8	1.75	6.5	39	36.6	24.6	25.9	135.4	127.8	12
Bull-363-1	2.52	8.5	51	43	25.4	29.2	151	145.8	13.5
Bull-363-1-1/8	3.40	9.5	57	46	31.75	31.8	172.2	163.7	15
Bull-363-1-1/4	4.90	12	72	51.6	35	35.6	190.5	178.4	18
Bull-363-1-3/8	6.24	13.5	81	57.2	38.1	38.9	210.3	188.3	19
Bull-363-1-1/2	8.39	17	102	60.5	41.2	42.2	230	211	20
Bull-363-1-3/4	14.24	25	150	73.2	53.8	51.8	278.7	281.6	39
Bull-363-2	21.20	35	210	82.6	59.9	58.4	323.6	313.5	46
Bull-363-2-1/2	38.55	55	330	105	66.8	71.1	377.2	375	58
Bull-363-3	56.35	85	510	127	90	82.6	428.5	444.4	64

The shown WLL is for vertical loading only

Caution! Never exceed the shown WLL!

HIGH TENSILE OMEGA TYPE/BOW/ SCREW SHACKLE TYPE BULL 364

- These shackles are forged, with a heat-treatment and hardened
- The body of the shackle is made by carbon steel with galvanized surface
- The loading pin is made by alloy steel, painted
- Application: for single loading operations

Safety capacity 6:1. The marking is mandatory.

Description	Mark
Size	3/8
WLL	1 T
Manufacturer	Bull
CE marking	CE
Batch №	14/1

Marking	Weight (kg)	WLL (T)	Breaking load (T)	A±1.2	C±1.2	D±0.5	N±0.2	L±2
Bull-364-3/16	0.03	0.33	1.98	9.65	15.3	4.8	6	37.5
Bull-364-1/4	0.05	0.5	3	12	19.8	6.4	7.5	46.8
Bull-364-5/16	0.09	0.75	4.5	13.5	21.4	8	9.5	53
Bull-364-3/8	0.14	1	6	16.8	26.2	9.7	11.5	63.2
Bull-364-7/16	0.17	1.5	9	19.1	29.5	11.2	13.4	78
Bull-364-1/2	0.33	2	12	20.6	33.3	12.7	15.5	83.3
Bull-364-5/8	0.62	3.25	19.5	27	42.9	16	19.5	106.5
Bull-364-3/4	1.07	4.75	28.5	32	50.8	20.6	21.5	126.5
Bull-364-7/8	1.64	6.5	39	36.6	58	24.6	24	148
Bull-364-1	2.28	8.5	51	43	68.4	27	26.5	167
Bull-364-1-1/8	3.36	9.5	57	46	74	31.8	29.5	190
Bull-364-1-1/4	4.31	12	72	51.6	82.6	35	35.7	209.6
Bull-364-1-3/8	6.14	13.5	81	57.2	92.2	38.1	39	232.7
Bull-364-1-1/2	7.80	17	102	60.5	98.6	41	39	254
Bull-364-1-3/4	12.60	25	150	73.2	127	57	48	313.5
Bull-364-2	20.41	35	210	82.6	146	61	56	347.5
Bull-364-2-1/2	38.90	55	330	105	184.2	79.5	67.5	453.2

The shown WLL is for vertical loading only

HIGH TENSILE OMEGA TYPE/BOW/ BOLT SHACKLE WITH NUT AND SAFETY PIN, TYPE BULL 362

- These shackles are forged, with a heat-treatment and hardened
- The body of the shackle is made by carbon steel with galvanized surface
- The loading pin is made by alloy steel, painted
- The nut is galvanized
- Application: for permanent or long term rigging

Safety capacity 6:1. The marking is mandatory.

Description	Mark
Size	3/8
WLL	1 T
Manufacturer	Bull
CE marking	CE
Batch №	14/1

Marking	Weight (kg)	WLL (T)	Breaking load (T)	A±1.5	C±1.5	D±1	L±3	H	N		L±0.5	B
									+2	0		
Bull-362-3/16	0.03	0.33	1.98	9.7	15.3	4.8	37.5	7	6	32	3.2	
Bull-362-1/4	0.05	0.5	3	11.9	19.8	6.35	46.8	8.7	7.5	40	4	
Bull-362-5/16	0.10	0.75	4.5	13.5	21.4	8	53	11.5	9.5	48.4	5	
Bull-362-3/8	0.15	1	6	16.8	26.2	9.7	63.3	13	11.2	58.8	6	
Bull-362-7/16	0.22	1.5	9	19	29.5	11.2	78	15	13.4	65.9	7	
Bull-362-1/2	0.46	2	12	20.6	33.3	12.7	83.3	17	15.2	73.7	8	
Bull-362-5/8	0.73	3.25	19.5	27	42.9	17.5	106.5	21	19	94	10	
Bull-362-3/4	1.10	4.75	28.5	32	50.8	20.6	126.5	23.5	21.2	108.7	10	
Bull-362-7/8	1.79	6.5	39	36.6	58	24.6	148.1	26.5	24	127.8	12	
Bull-362-1	2.57	8.5	51	43	68.4	27	166.6	29.5	27	145.8	13.5	
Bull-362-1-1/8	3.75	9.5	57	46	74	31.75	190	32	30	160.6	15	
Bull-362-1-1/4	5.31	12	72	51.6	82.6	35	209.6	38.5	36	181.4	18	
Bull-362-1-3/8	7.18	13.5	81	57.2	92.2	38.1	232.7	41	39	188.3	19	
Bull-362-1-1/2	9.43	17	102	60.5	98.6	41.2	254	41.5	39	211	20	
Bull-362-1-3/4	15.38	25	150	73.2	127	57.2	313.5	50.5	48	281.6	39	
Bull-362-2	23.70	35	210	82.5	146	61	347.5	58.5	56	311	46	
Bull-362-2-1/2	44.56	55	330	105	184.2	79.5	453.2	70.5	68	403	58	
Bull-362-3	69.85	85	510	127	200.2	92	546	82.5	80	476	64	

The shown WLL is for vertical loading only

Caution! Never exceed the shown WLL!



Webbing slings



Chain slings



Wire rope slings



Clamps



Chain and lever hoists



Magnets



Hooks



Master links and shackles



Lifting points and wire rope clips



BILION TRADE
Move the World with us!

Internet: www.biliontrade.eu

office: **Bilion trade FM s.r.o.**
Panské Nové Dvory 2461
738 01 Frýdek-Místek, Czech Republic
email: info@biliontrade.eu
tlf: +420 733 577 274



Internet: www.bull-lifting.com